

STANLEY

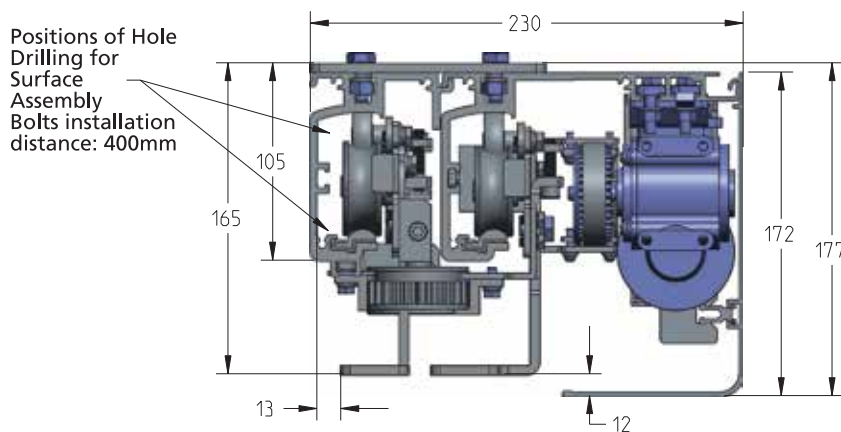
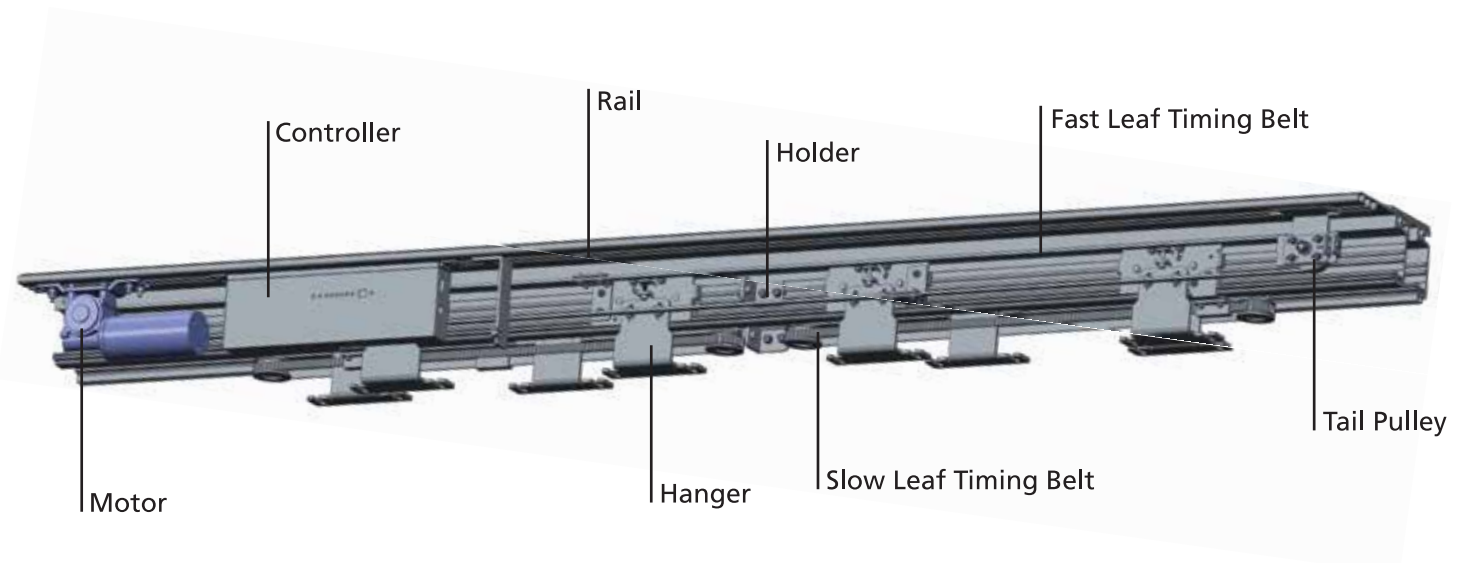
Access Technologies



STANLEY LITE SERIES

Automatic Telescopic Door

Automatic Telescopic Door

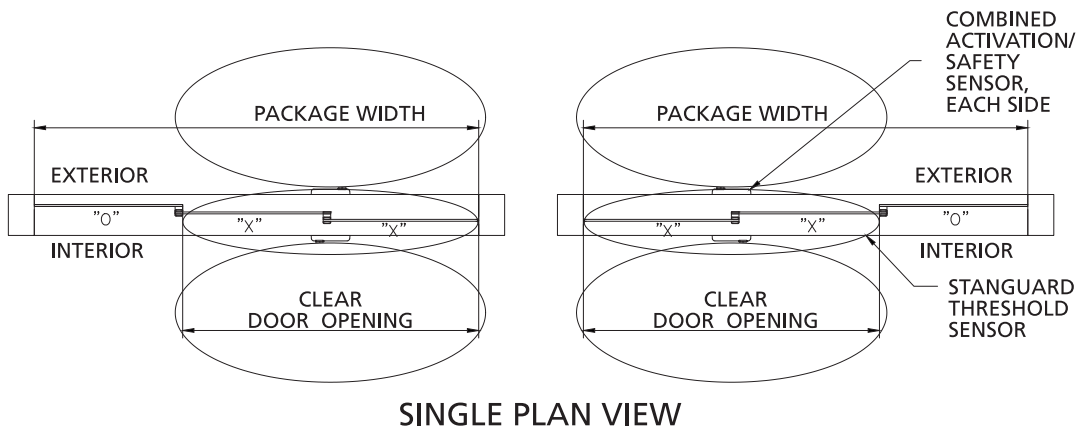
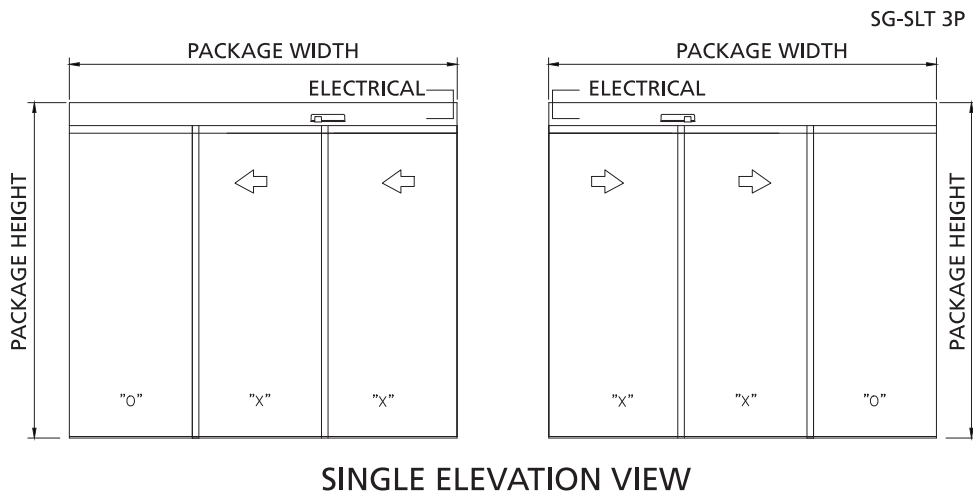
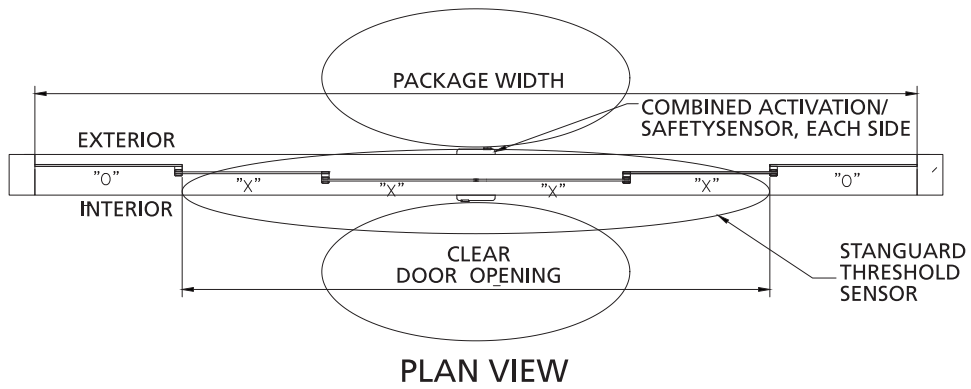
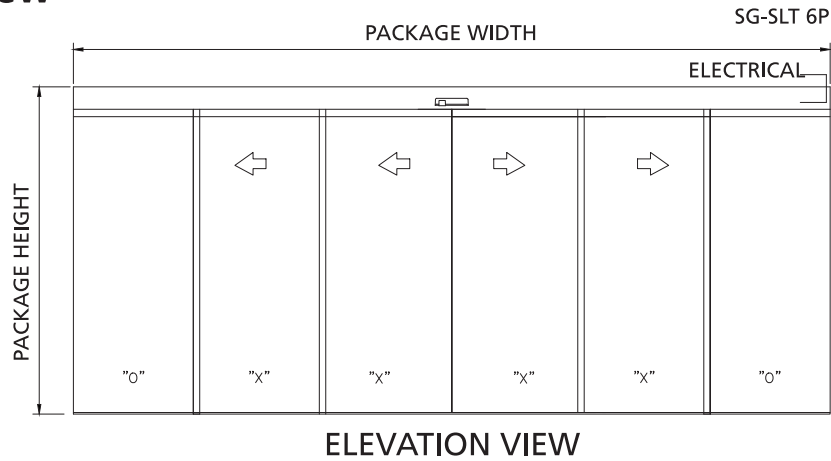


Features

- Dunker Motor with high power, smooth and silent operation.
- Smart tuning – The controller has built-in microprocessor to self learn opening and closed positions. Adjustable parameters for various functionalities.
- Safe and reliable – Able to connect with fire alarm interface, safety sensors and locking module.
- Silent operation – Sliding surface is embedded with EPDM block to absorb vibration and friction noise during the operational process.



Architectural View



Telescopic Door Technical parameters

Door Configuration	SG-SLT 3P (single)	SG-SLT 6P (double)
Door Leaf Weight	≤2x150 kg	≤4x100 kg
Operator Length	3000 mm	6000 mm
Clear Open Width	1200 mm-2700 mm	2200 mm-3900 mm
Manual Push Force	<100 N	<100 N
Power Voltage	AC 220V±10%, 50-60Hz	AC 220V±10%, 50-60Hz
Power Consumption	<150 W	<150 W
Application	Framed and frameless glass doors	
Method of Installation	Surface type installation	
Key Switch Functions	Open, close, automatic, one way and reduced opening	
Optional Accessories	Battery backup, electric lock, 5 position key switch	
Interfacing Requirements	Interlocking between two operators, access control interfacing and BMS control	
Control Unit	Self learning, parameters adjustments through potentiometer or push buttons on the controller	
Motor	DC brushless motor (not less than 100 W)	
Interfacing Requirements	Interlocking between two operators, access control interfacing and BMS control	
Microprocessor Controller	Adjustable opening & closing speed Adjustable distance & speed of breaking Adjustable reduced opening	Adjustable time delay Auto reverse on obstruction
Silver Anodized Track Profile & Cover	Push open	
Cover: Hook on type	Open 90 degrees for maintenance	

StanleyBlack&Decker

SINCE 1843

China & North East Asia

STANLEY GMT Hardware Co.,Ltd.
2/F, Tower C, No.7001, Zhongchun Rd., Minhang District, Shanghai, China

Taiwan

Stanley Security Solutions Taiwan Ltd.
62, Chung Hsiao 1st. Street, Hou-Hu-I, Chia-Yi 600, Taiwan, R.O.C

Korea/Japan

4fl Jaeseung Bldg.770-6
Yeoksam-dong Kangnam-gu, Seoul, Korea

Middle East Asia

Stanley Middle East FZE
P.O Box 17164, JAFZA South, Dubai, UAE

Australia & New Zealand

Stanley Security Solutions Australia Pty Ltd.
Unit 17, Riverside Centre,
148 James Ruse Drive Parramatta, NSW, 2150

India

Stanley Black & Decker India Ltd.
803, FILIX, LBS Road, Bhandup(WEST),
Mumbai - 4000078

South East Asia

Black & Decker Asia Pacific Pte Ltd.
67 Ubi Avenue 1, #02-13,
Starhub Green Singapore 408942

Malaysia

No. 15-1 & 15-2, Jalan SS23/15 Taman SEA
47400 Petaling Jaya Selangor D.E Malaysia

Philippines

2nd Floor, VSK Corporate Circle Bldg.,
No.2 Acacia Lane corner Shaw Blvd.,
Mandaluyong City 1552 Philippines

Thailand

29 Bangkok Business Center 1st Floor,
Room no. 101, Soi Ekamai,
Sukhumvit 63 Road, Klongton-Nua,
Wattana, Bangkok 10110, Thailand

