

OS-12C Active Infrared Safety Beam



OS-12C active infrared safety beam system is compatible with any type of automatic door.

Its amplifier and sensor head are designed for fast, simple installation while maintaining the highest standard of safety and reliability.

Noted : This model need to use with Sensor Head Unit (SH-10MC)



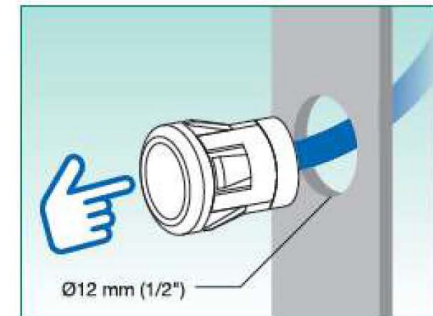
Easy-to-Install Amplifier Unit and Sensor Heads

The Optex OS-12C T amplifier has screwless wiring terminals, which realizes quick installation. Pressing the “Teach-In” button automatically sets the proper sensitivity and self-corrects crossed cables. One amplifier operates one or two pairs of sensor heads.

Teach-in button



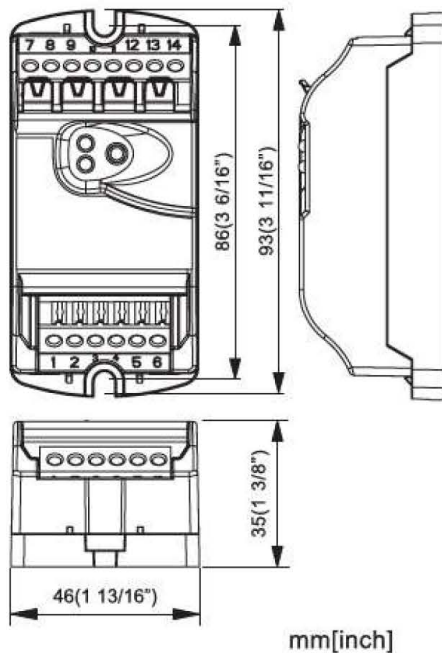
One push installation sensor head



OS-12C Active Infrared Safety Beam

Dimensions

Amplifier



Sensor heads

One push installation type

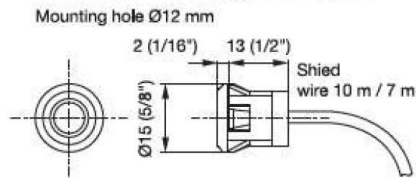
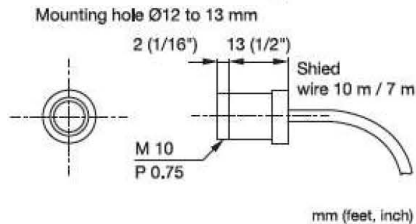


Plate installation type



mm[inch]

Specifications

Model	OS-12C T
Installation distance	Less than 10 m (32' 10")
Detection method	Point to point near infrared light beam
Power supply	12 to 24 V AC / 12 to 30 V DC
Current draw	160 mA Max.
Operating indicator	BEAM1 / BEAM2 Stand-by : Green ON / Red ON Detection Active : Green OFF / Red OFF Insufficient sensitivity : Green Blink / Red Blink Test input error : Simultaneous twice Blinking (Red & Green)
Test input	Opto coupler Voltage 5 to 30 V DC Current 6 mA Max. (30 V DC)
Safety Output (Initial setting)	50 V 0.3 A (resistance load) - N.O./N.C. Switchable
Response time	Approx. 0.1 sec. (from the moment of beam cut-off)
Relay hold time	Approx. 0.5 sec.
Operating temperature	-20 to +55°C (-4 to +131°F)
Weight	Amplifier 63 g (2.2 oz)
Component	1 Amplifier, 2 Mounting screws, 1 Manual (Optional sensor head is necessary for operation)

Note : It is possible to use OS-12C T as an amplifier for 1 or 2 beam use by attaching a separately sold SensorHead.

Note : The specifications herein are subject to change without prior notice due to improvements.

OS-12C Active Infrared Safety Beam

Programming

1. Press and hold down the blue “Teach-in button” until the red LED starts blinking on the OS-12C T. This will initialize the programming function of the OS-12C T.

Teach-in button



2. Use the blue “Teach-in button” to scroll to the correct (A thru D) setting. The OS-12C T will be in program mode for approximately 10 seconds. Most non-monitored automatic doors will use setting B indicated by two Red LED flashes on the OS-12C T.

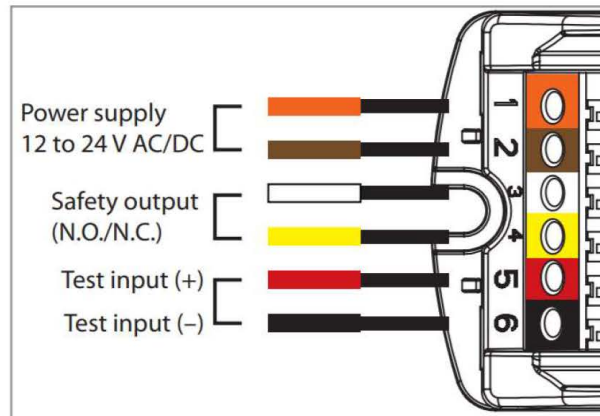
Amplifier Mode				
A	Green <input type="checkbox"/> <input type="checkbox"/> <input type="checkbox"/> <input type="checkbox"/> <input type="checkbox"/> <input type="checkbox"/> <input type="checkbox"/> <input type="checkbox"/> <input type="checkbox"/> <input type="checkbox"/>	Red <input checked="" type="checkbox"/> <input type="checkbox"/> <input type="checkbox"/> <input type="checkbox"/> <input type="checkbox"/> <input type="checkbox"/> <input type="checkbox"/> <input type="checkbox"/> <input type="checkbox"/> <input type="checkbox"/>	Active-Low/N.O.	Teach-in button One push One push One push
B	Green <input type="checkbox"/> <input type="checkbox"/> <input type="checkbox"/> <input type="checkbox"/> <input type="checkbox"/> <input type="checkbox"/> <input type="checkbox"/> <input type="checkbox"/> <input type="checkbox"/> <input type="checkbox"/>	Red <input checked="" type="checkbox"/> <input checked="" type="checkbox"/> <input type="checkbox"/> <input type="checkbox"/> <input type="checkbox"/> <input type="checkbox"/> <input type="checkbox"/> <input type="checkbox"/> <input type="checkbox"/> <input type="checkbox"/>	Active-High/N.O.	
C	Green <input type="checkbox"/> <input type="checkbox"/> <input type="checkbox"/> <input type="checkbox"/> <input type="checkbox"/> <input type="checkbox"/> <input type="checkbox"/> <input type="checkbox"/> <input type="checkbox"/> <input type="checkbox"/>	Red <input checked="" type="checkbox"/> <input checked="" type="checkbox"/> <input checked="" type="checkbox"/> <input type="checkbox"/> <input type="checkbox"/> <input type="checkbox"/> <input type="checkbox"/> <input type="checkbox"/> <input type="checkbox"/> <input type="checkbox"/>	Active-Low/N.C.	
D	Green <input type="checkbox"/> <input type="checkbox"/> <input type="checkbox"/> <input type="checkbox"/> <input type="checkbox"/> <input type="checkbox"/> <input type="checkbox"/> <input type="checkbox"/> <input type="checkbox"/> <input type="checkbox"/>	Red <input checked="" type="checkbox"/> <input checked="" type="checkbox"/> <input checked="" type="checkbox"/> <input checked="" type="checkbox"/> <input type="checkbox"/> <input type="checkbox"/> <input type="checkbox"/> <input type="checkbox"/> <input type="checkbox"/> <input type="checkbox"/>	Active-High/N.C.	

3. Press and hold down the blue “Teach-in button” until the green and red LEDs on the OS-12C T stop blinking. When the green and red LEDs stop blinking, that indicates the OS-12C T is in normal operation.

OS-12C Active Infrared Safety Beam



Wiring



Pin 1: Orange power

Pin 2: Brown power

Pin 3: White Safety common

Pin 4: Yellow Safety Signal

Pin 5: Red Test input (+)

Pin 6: Black Test input (-)

OS-12C Active Infrared Safety Beam

One push installation sensor head

